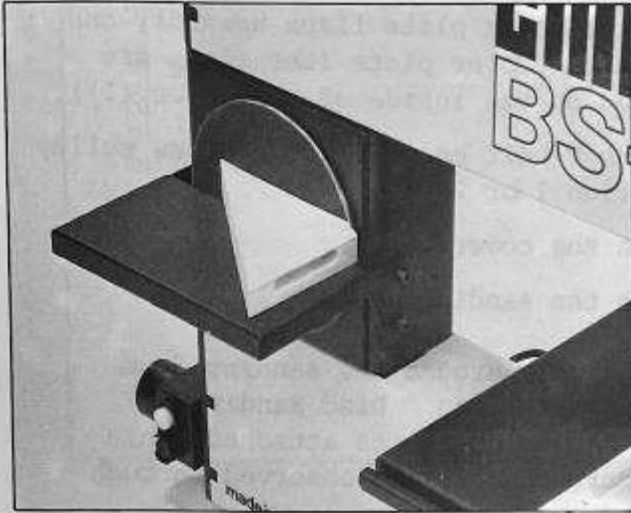


## Disc Sanding



### Assembly:

Affix the sandpaper (self-adhesive).  
The metal disc must be free from dust and dirt.

Bend the flaps of the cover plate upwards, and remove the cover plate (the flaps are located on the inside of the cover (1)).  
Fit the V-belt on the left bandsaw pulley (position 1 or 2).

Attach the cover.

Attach the sanding disc.

Fit the V-belt around the sanding disc (see illustration). Since the cover (1) is attached, this procedure can only be observed through the viewing slit (2).

Fit the belt on the motor pulley (position C) and tighten.

Speed: 50 Hz 1500 rpm  
60 Hz 1800 rpm

Fit the sanding table with 4 hexagonal nuts and clamp so that it stands at right angles to the sanding disc.  
The gap between the sanding disc and sanding table must be as small as possible.

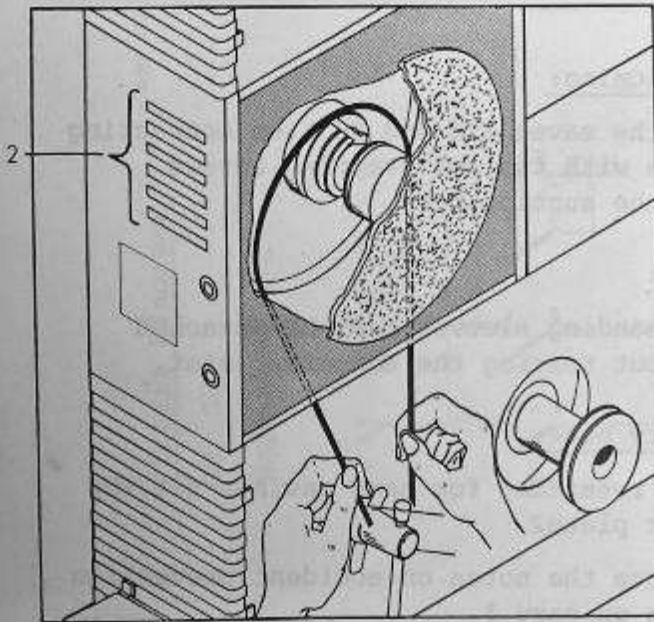
### Working notes:

Never work without the sanding table.

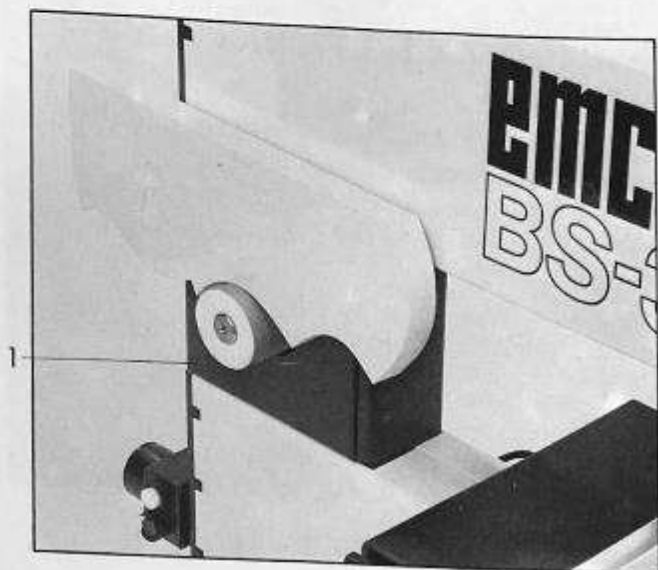
Only sand with the downward rotating side, so as to prevent the the item from being lifted off the table.

The suction hose can be attached to the underside of the table.

Observe the notes on accident prevention given on page 1.



# The Drum Sanding Facility



## Assembly:

Bend the cover plate flaps upwards, and remove the cover plate (the flaps are located on the inside of the cover (1)).

Fit the V-belt on the left bandsaw pulley (position 1 or 2).

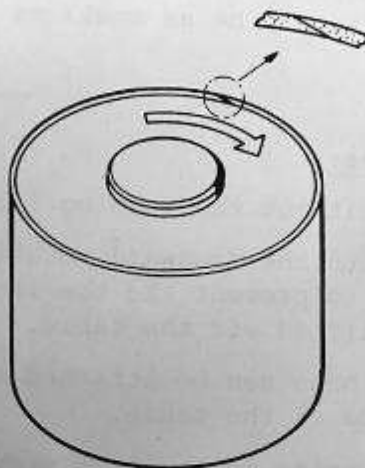
Attach the cover.

Attach the sanding drum.

Fit the belt around the sanding drum (see illustration "Disc Sanding"). Since the cover (1) is attached, this procedure can only be observed through the viewing slits (2).

Fit the belt on the motor pulley (position C) and tighten.

Speed: 50 Hz 1680 rpm  
60 Hz 2000 rpm



## Suctioning:

Fit the safeguard and suction connecting piece with two self-tapping screws.  
Fit the suction hose.

## Note:

The sanding sleeves must be attached without tearing the adhesive joint.

## Safety note:

When resetting for band sawing, fit the cover plate.

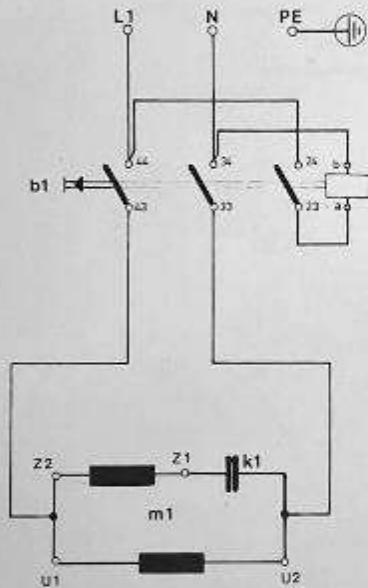
Observe the notes on accident prevention given on page 1.

Circuit Diagramm

A50 155

G6; G8

single-phase VDE



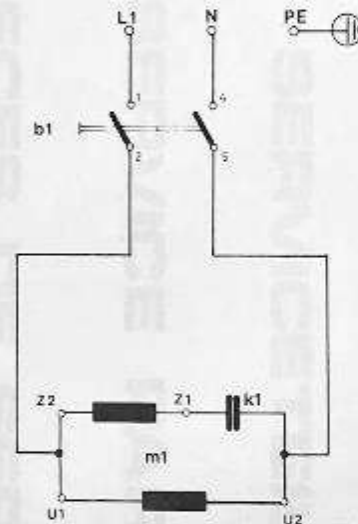
b1 Current failure switch  
k1 Capacitor  
m1 Motor

Circuit Diagramm

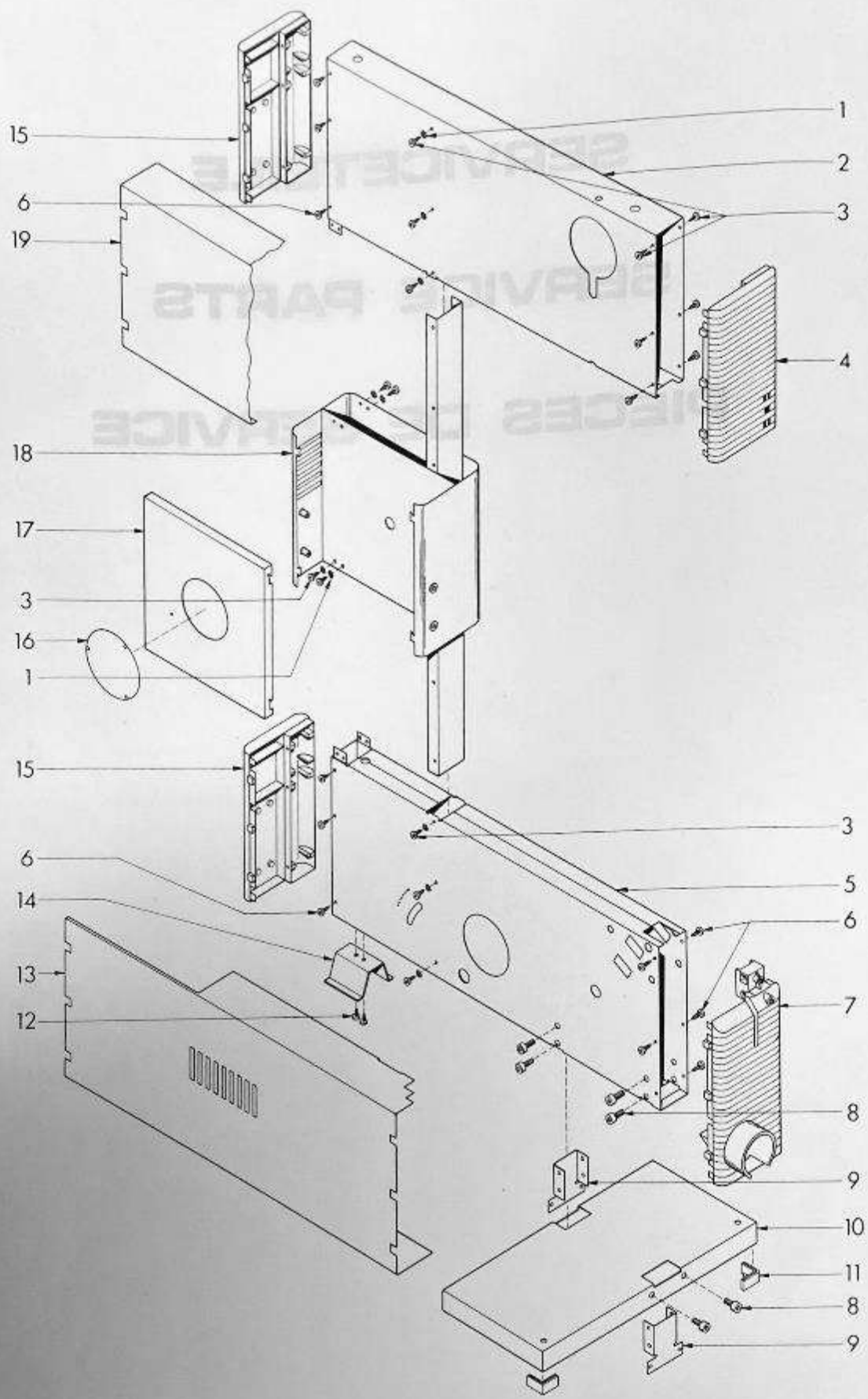
A50 147

G6; G8

single-phase Standard

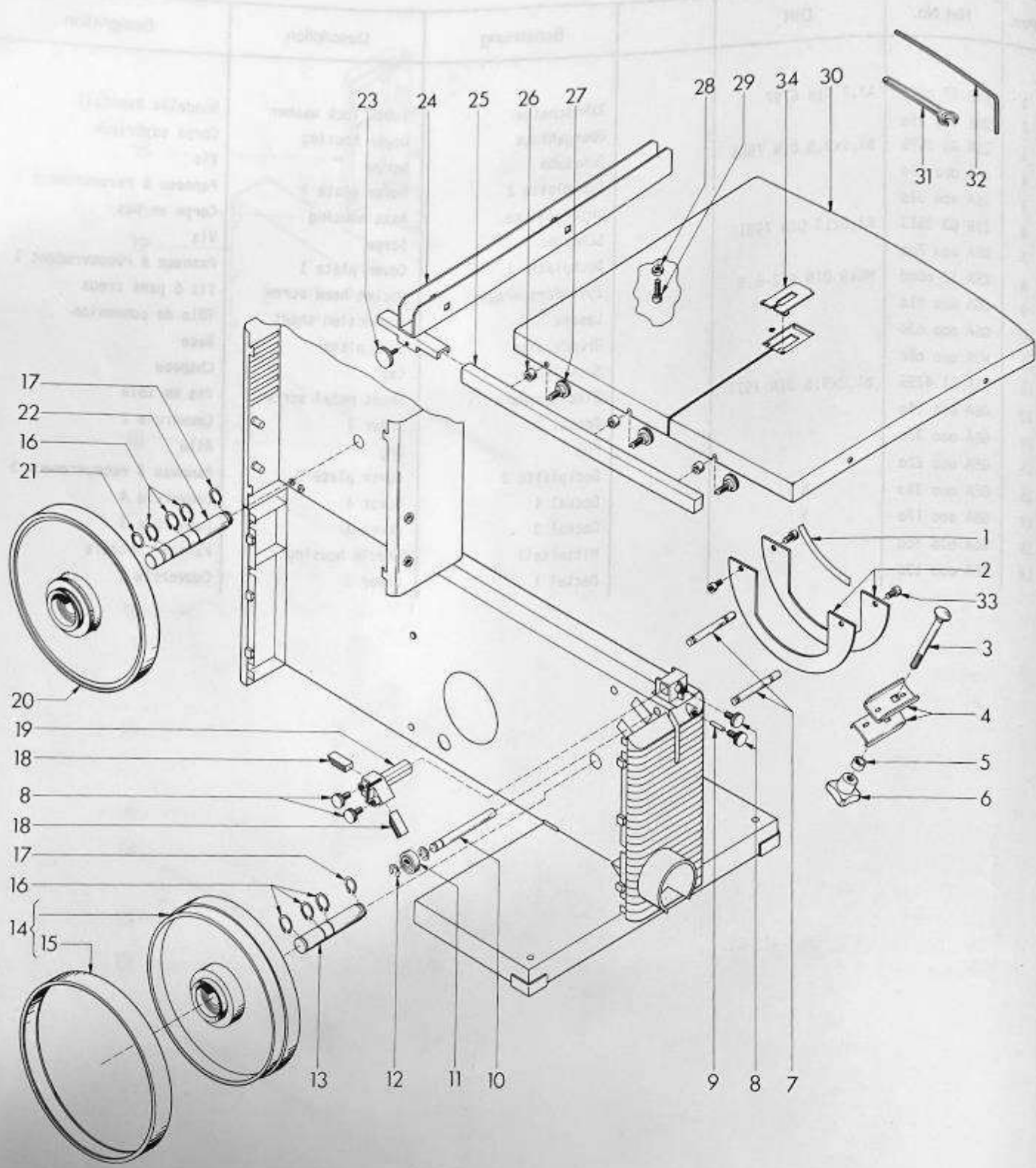


b1 Motor switch  
k1 Capacitor  
m1 Motor

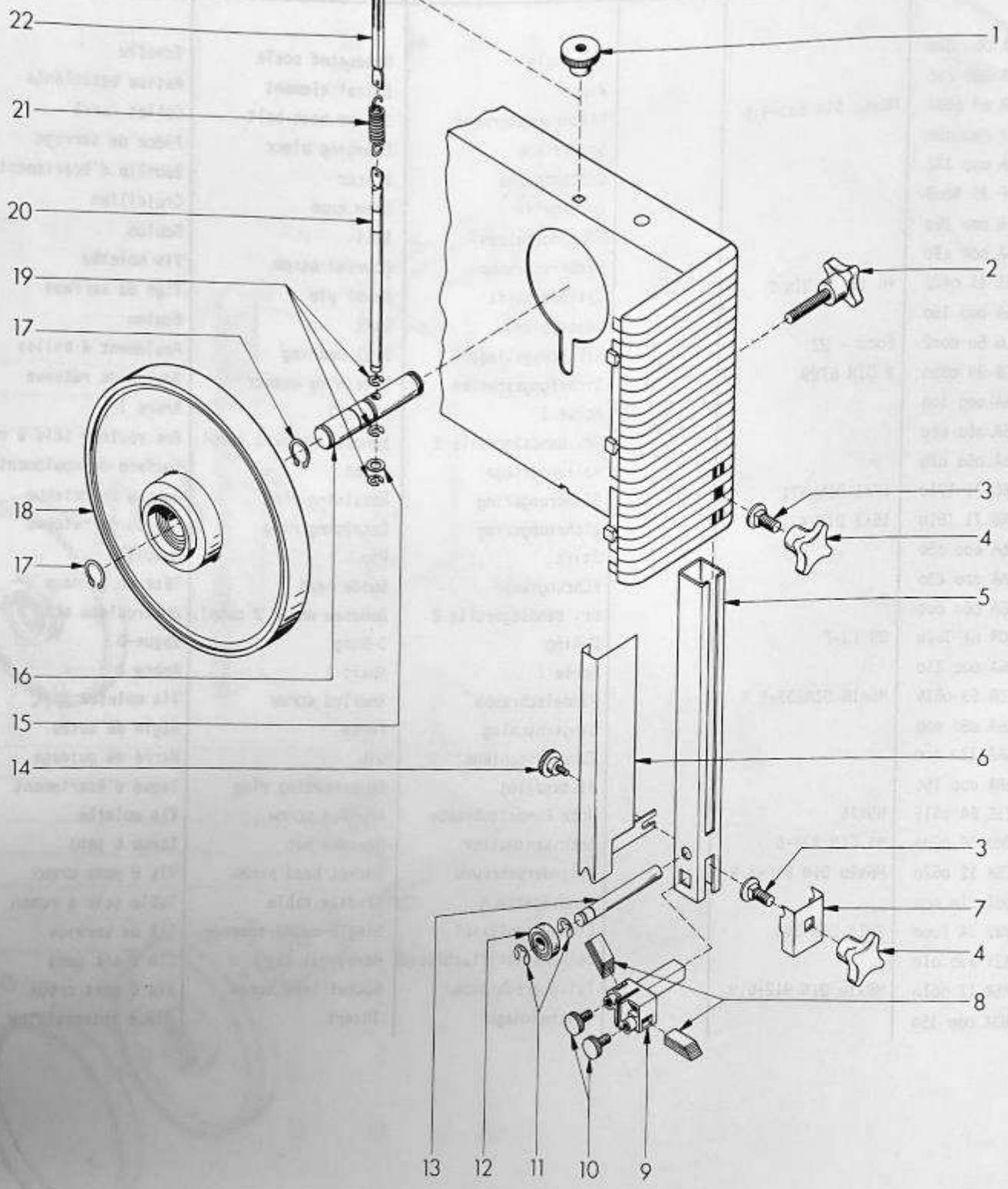




Pos.	Ref. No.	DIN	Benennung	Description	Designation
1	ZSB 97 0370	A3,7 DIN 6797	Zahnscheibe	Tooth lock washer	Rondelle éventail
2	ZME 400 150		Obergehäuse	Upper housing	Corps supérieur
3	ZSR G3 3595	B3,5x9,5 DIN 7981	Schraube	Screw	Vis
4	G6A 000 210		Deckplatte 2	Cover plate 2	Panneau à recouvrement 2
5	G6A 000 020		Untergehäuse	Base housing	Corps en bas
6	ZSR G3 3513	B3,5x13 DIN 7981	Schraube	Screw	Vis
7	G6A 000 200		Deckplatte 1	Cover plate 1	Panneau à recouvrement 1
8	ZSR 12 0608	M6x8 DIN 912-6.9	Zylinderschraube	Socket head screw	Vis 6 pans creux
9	G6A 000 310		Lasche	Connection sheet	Tôle de connexion
10	G6A 000 030		Grundplatte	Base plate	Base
11	H3A 000 060		Sockelfuß	Cap	Chapeau
12	ZSR C1 4295	B4,2x9,5 DIN 7971	Blechschaube	Sheet metal screw	Vis en tôle
13	G6A 000 140		Deckel 2	Cover 2	Couvercle 2
14	G6A 000 330		Fuß	Leg	Aile
15	G6A 000 220		Deckplatte 3	Cover plate 3	Panneau à recouvrement 3
16	G6A 000 340		Deckel 4	Cover 4	Couvercle 4
17	G6A 000 170		Deckel 3	Cover 3	Couvercle 3
18	G6A 010 000		Mittelteil	Middle housing	Partie centrale
19	G6A 000 130		Deckel 1	Cover 1	Couvercle 1

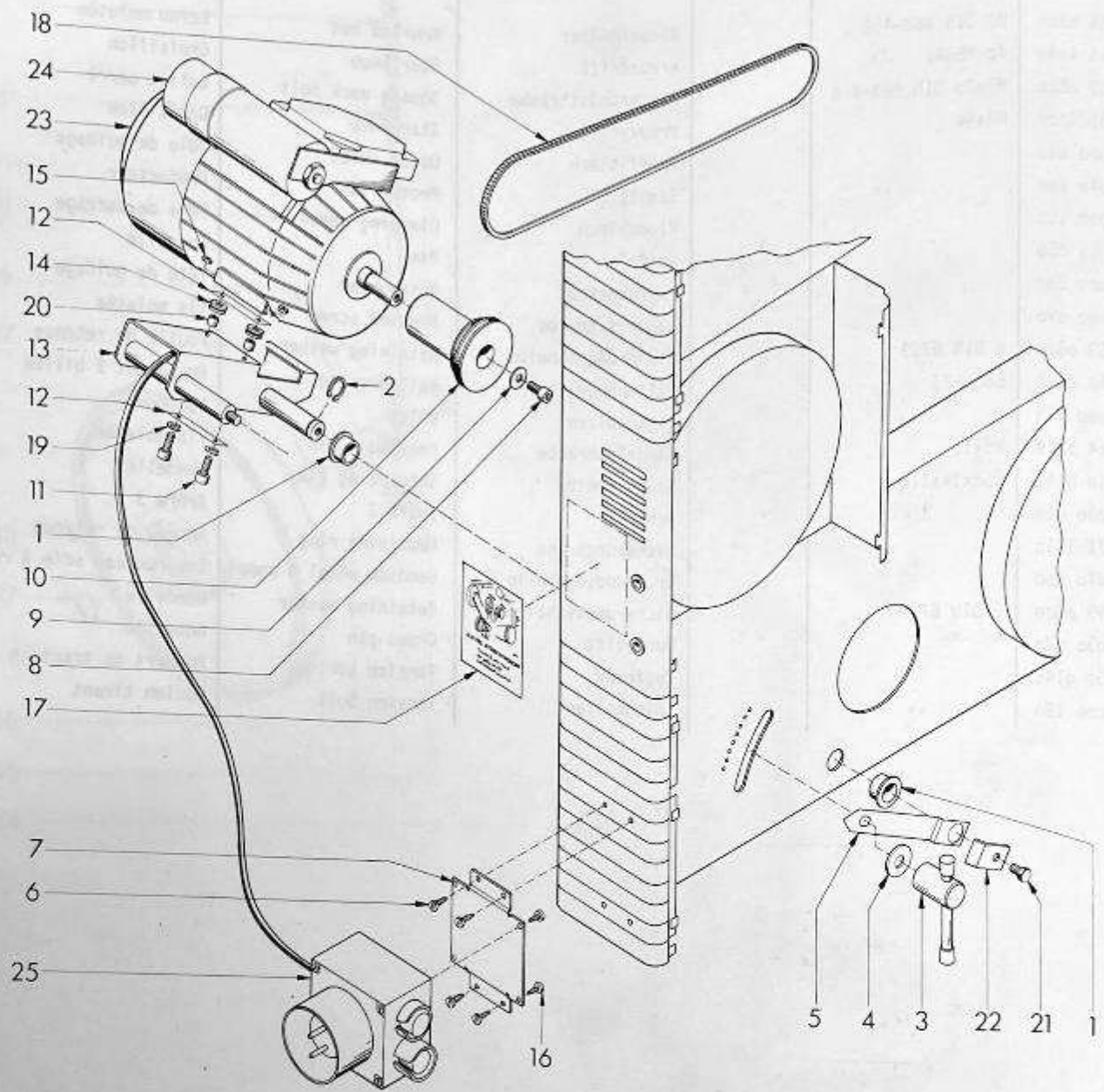


Pos.	Ref. No.	DIN	Benennung	Description	Designation
1	G6A 000 270		Gradskala	Graduated scale	Echelle
2	G6A 000 060		Wippe	Swivel element	Assise basculante
3	ZSR 03 0860	M8x60 DIN 603-4.6	Flachrundschraube	Square neck bolt	Collet carré
4	G6A 000 080		Spannstück	Clamping piece	Pièce de serrage
5	G6A 000 320		Distanzhülse	Spacer	Douille d'écartement
6	ZGF 35 4008		Kreuzgriff	Star knob	Croisillon
7	G6A 000 260		Führungsbolzen	Bolt	Boulon
8	G6A 000 090		Rändelschraube	Knurled screw	Vis moletée
9	ZST 11 0420	4h 11x20 DIN 7	Zylinderstift	Dowel pin	Tige de serrage
10	G6A 000 150		Lagerbolzen	Bolt	Boulon
11	ZLG 60 0002	6000 - ZZ	Rillenkugellager	Ball bearing	Roulement à billes
12	ZSB 99 0800	8 DIN 6799	Sicherungsscheibe	Retaining washer	Poulie de retenue
13	G6A 000 100		Achse 1	Shaft 1	Arbre 1
14	G6A 050 000		Gr. Bandsägerolle 1	Bandsaw wheel 1 compl.	Ens.rouleau scie à ruban 1
15	G6A 050 020		Rollenaufgabe	Tread	Surface de roulement
16	ZRG 71 1710	17x1 DIN 471	Sicherungsring	Retaining ring	Anneau de retenue
17	ZRG 71 1510	15x1 DIN 471	Sicherungsring	Retaining ring	Anneau de retenue
18	G6A 000 050		Stift	Pin	Goupille
19	G6A 000 230		Führungskopf	Guide head	Tête de guidage
20	G6A 060 000		Gr. Bandsägerolle 2	Bandsaw wheel 2 compl.	Ens.rouleau scie à ruban 2
21	ZOR 01 3020	OR 13-2	O-Ring	O-Ring	Bague-O
22	G6A 000 110		Achse 2	Shaft 2	Arbre 2
23	ZSR 53 0616	M6x16 DIN653-5.8	Rändelschraube	Knurled screw	Vis moletée
24	G6A 080 000		Längsansschlag	Fence	Règle de butée
25	G6A 230 000		Führungsschiene	Gib	Barre de guidage
26	HBA 000 160		Distanzring	Compensating ring	Bague d'écartement
27	ZSR 64 0515	M5x15	Hohe Rändelschraube	Knurled screw	Vis moletée
28	ZMU 34 0600	M6 DIN 934-6	Sechskantmutter	Hexagon nut	Ecrou 6 pans
29	ZSR 12 0620	M6x20 DIN 912-6.9	Zylinderschraube	Socket head screw	Vis 6 pans creux
30	G6A 020 000		Bandsägetisch	Bandsaw table	Table scie à ruban
31	ZNZ 94 1000	SW10 DIN 894	Einmaulschlüssel	Single-ended spanner	Clé de service
32	AZY 030 010		Sechskantstiftschlüssel	Hexagonal key	Clé à six pans
33	ZSR 12 0610	M6x10 DIN 912-6.9	Zylinderschraube	Socket head screw	Vis 6 pans creux
34	H3A 000 150		Tischeinlage	Insert	Pièce intercalaire









Pos.	Ref. No.	DIN	Benennung	Description	Designation
1	ZBU 8o 5186		Bundbüchse	Guide bush	Douille de guidage
2	ZRG 71 161o	16x1 DIN 471	Sicherungsring	Retaining ring	Anneau de retenue
3	ZMU 7o o8oo	M8	Knebelmutter	Clamp lever	Levier de serrage
4	ZSB 21 o84o	A8,4 DIN 9o21	Scheibe	Washer	Rondelle
5	G6A ooo 36o		Zeiger	Pointer	Aiguille
6	ZSR C1 4295	B4,2x9,5 DIN7971	Blechschraube	Sheet metal screw	Vis en tôle
7	G8A ooo o6o		Schalterblech	Switch sheet	Base d'interrupteur
8	ZSR 12 o512	M5x12 DIN 912-6.9	Zylinderschraube	Socket head screw	Vis 6 pans creux
9	ZSB 21 o64o	A6,4 DIN 9o21	Scheibe	Washer	Rondelle
10	G6A ooo 19o		Motorriemenscheibe	Motor pulley	Poulie de moteur
11	ZSR 12 o52o	M5x2o DIN 912-6.9	Zylinderschraube	Socket head screw	Vis 6 pans creux
12	G6A ooo 35o		Klemmblech	Clamping sheet	Tôle de blocage
13	G6A o9o ooo		Motorwippe	Motor plate	Plaque de moteur
14	ZEL 15 ooo3		Gummischeibe	Rubber washer	Rondelle en caoutchouc
15	ZMU 57 o5oo	M5 DIN 557-6	Vierkantschraube	Square nut	Ecrou 4 pans
16	ZSR G3 4219	B4,2x19 DIN 7981	Schraube	Screw	Vis
17	G6A 1oo o1o		Drehzahlschild 5o Hz	Speed plate 5o cy	Plaque de vitesses 5o Hz
	G6A 1oo o2o		Drehzahlschild 6o Hz	Speed plate 6o cy	Plaque de vitesses 6o Hz
18	ZRM 45 o85o	5M-85o	Keilriemen	V-belt	Courroie trapezoidale
19	ZRG 28 oo5o	B5 DIN 127	Federring	Spring washer	Rondelle-ressort
20	G6A ooo 37o		Distanzhülse	Spacer	Douille d'écartement
21	ZSR 33 o61o	M6x1o DIN 93	Sechskantschraube	Hexagon head screw	Vis hexagonale
22	G6A ooo 25o		Druckblech	Pressure sheet	Tôle de pression

Spannung (V) Voltage (V) Tension (V)	Frequenz (Hz) Frequency (Cy) Fréquence (Hz)	Pos. 23 Motor Motor Moteur	Pos. 24 Kondensator Condenser Condensateur	Pos. 25 Schalter Switch Interrupteur
110	50	ZMO 42 1110	ZME 200 124	ZEL 28 1001
230-240	50	ZMO 42 1240	ZME 200 132	ZEL 28 1001
100	50	ZMO 42 1100	ZME 200 130	ZEL 28 1001
115	60	ZMO 43 1115	ZME 200 134	ZEL 28 1001
220	60	ZMO 43 1220	ZME 200 132	ZEL 28 1001
100	60	ZMO 43 1100	ZME 200 134	ZEL 28 1001
220	50	ZMO 42 1220	ZME 200 132	ZEL 28 1001
220	50 (VDE)	ZMO 42 1220	ZME 200 132	ZEL 28 1003
220	50 (SEV)	ZMO 42 1220	ZME 200 132	ZEL 28 1004
240	50 (SAA)	ZMO 42 1240	ZME 200 132	ZEL 28 1005
380	50 (VDE)	ZMO 42 3380		ZEL 28 1006